

Characteristics

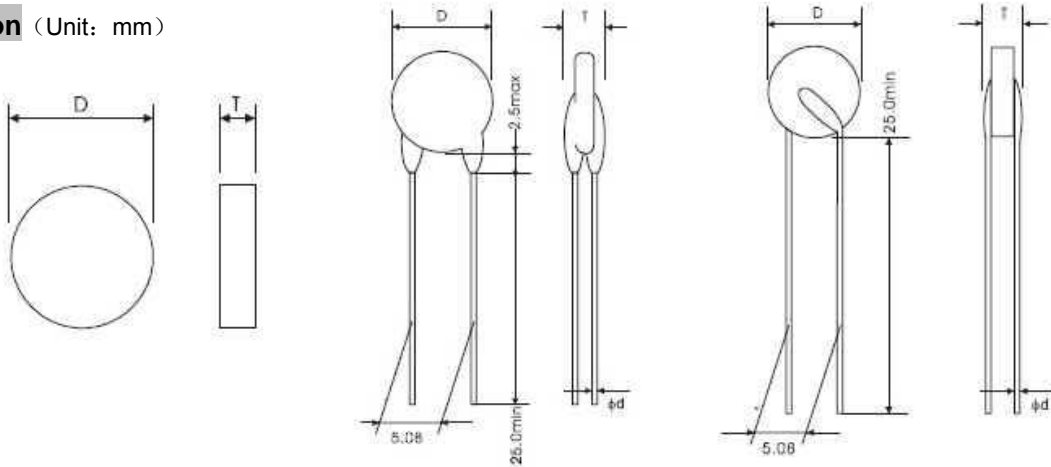
1. WMZ21 series is in disc form, MZ23 series is pin coated part, MZ25 series is pin form without coating
2. Satisfy ITU-T K20 K21 requirement.
 - Surge current (10/700 μ s)
 - Induction voltage (600V,1A,0.2S)
 - Power line contact (230V,15min.)
3. Operates continuously in 110/230V_{AC} (high resistance state)
4. Narrow resistance tolerance (resistance matching)
5. Long stability
6. Quick response.
7. Do not need to be reset after protection.

Application

1. Main distribution frame (MDF)
2. Telecom equipment
3. Telephone



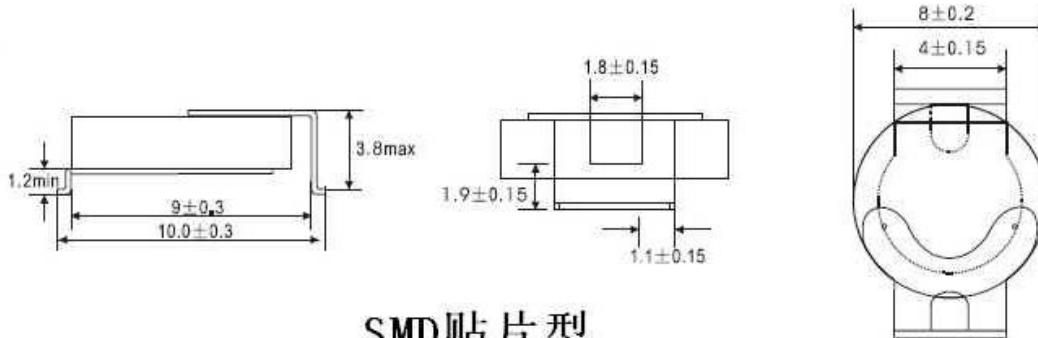
Dimension (Unit: mm)



芯片型

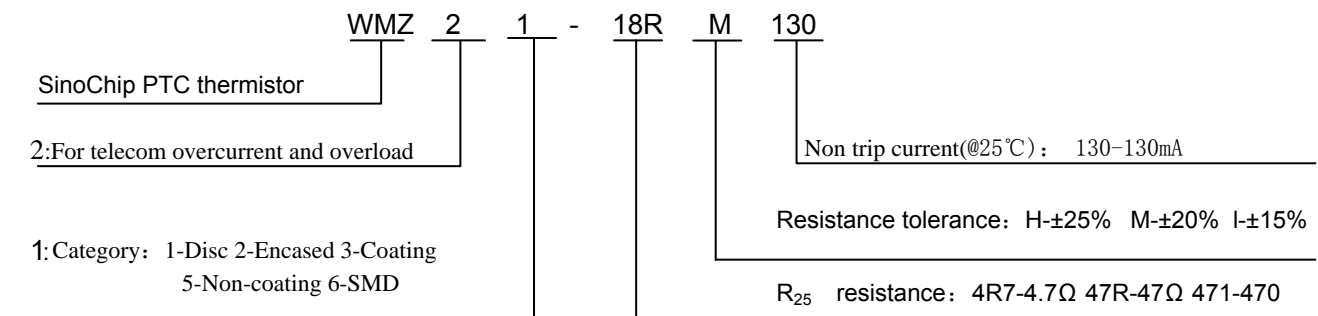
涂装型

无涂装型



SMD贴片型

Part Number Explanation



Data Sheet

Overload protection for telecom main distribution frame (MDF)

Part number	Resistance	Non-trip current		Ttrip current	Tripping time at max. current	Max. current	Max. operating voltage Vmax	Dimension		
	R25 (Ω)	Int (mA)		@25℃	t(Sec)			(mm)		
	±25%	@25℃	@40℃	It (mA)	(S)	I _{max} (A)	V _{max} (V)	D _{max}	T _{max}	Φd
WMZ21-18RM110	18	110	90	220	<0.15	3	250	5.5	1.5	/
WMZ21-18RM125	18	125	110	250	<0.18	3	250	5.5	2	/
WMZ21-18RM130	18	130	110	250	<0.18	3	250	6.2	2	/
WMZ21-20RM085	20	85	70	170	<0.18	3	250	6.2	2	/
WMZ21-18RM135	18	135	110	270	<0.20	3	250	6.6	2	/
WMZ21-10RM150	10	150	130	350	<4.0	1	230	6.6	1.5	/
WMZ25-25RM055	25	55	45	110	<0.4	1	230	5.3	4	0.6
WMZ25-25RM060	25	60	50	140	<0.4	1	230	5.3	4	0.6
WMZ25-25RM085	25	85	50	120	<0.7	1	230	5.3	4	0.6
WMZ25-20RM145	20	145	100	250	<0.2	3	250	6.6	4	0.6
WMZ25-10RM130	10	130	110	260	<4.0	1	230	6.6	4	0.6
WMZ25-10RM150	10	150	135	300	<7.0	1	230	8.2	4	0.6
WMZ25-18RM125	18	125	110	250	<1.0	1	230	5.5	4	0.6
WMZ23-18RM135	18	135	110	270	<0.2	3	250	7.5	4.5	0.6
WMZ23-18RM110	18	110	110	220	<0.2	3	250	9	4.5	0.6
WMZ23-20RM100	20	100	80	200	<0.2	3	250	9	4.5	0.6
WMZ23-25RM090	25	90	70	180	<0.2	3	250	9	4.5	0.6

Overcurrent and overload protection for meter and instrument

Part number	Resistance	Non-trip current		Ttrip current	Max. operating voltage	Max. current	Switch temperature	Dimension		
	R25 (Ω)	Int (mA)		@25℃	V _{max} (V)			(mm)		
	±25%	@25℃	@60℃	It (mA)	V	I _{max} (A)	T _c (℃)	D _{max}	T _{max}	Φd
WMZ11-03M151N265	150	20	15	50	265	0.2	80	4.5	5	0.5
WMZ11-03M102N265	1000	10	7	20	265	0.1		4.5	5	0.5
WMZ11-03M152N265	1500	7	5	15	265	0.1		4.5	5	0.5
WMZ11-04M45RN265	45	40	30	80	265	0.3		5.5	5	0.6
WMZ11-05M601N420	600	20	16	40	420	0.2		6.5	5	0.6
WMZ11-05M232N420	2300	8	6	17	420	0.1		6.5	5	0.6
WMZ11-05M321N420	3100	5	4	13	420	0.1		6.5	5	0.6
WMZ11-07M251N265	250	25	20	50	265	0.5		8	5	0.6
WMZ11-07M112M550	1100	15	10	30	550	0.5		8	7	0.6
WMZ11-08M12RN265	12	120	70	220	265	0.8		9	5	0.6

WMZ11-03N151N265	150	30	25	60	265	0.2	100	4.5	5	0.5
WMZ11-03N401N265	400	25	20	45	265	0.2		4.5	5	0.5
WMZ11-05N751N420	750	25	20	45	420	0.2		6.5	5	0.6
WMZ11-05P39RN265	39	85	70	170	265	0.4	120	6.5	5	0.6
WMZ11-05P65RN265	65	70	60	140	265	0.4		6.5	5	0.6
WMZ11-05P601N420	600	20	16	39	420	0.2		6.5	5	0.6
WMZ11-05P122N550	1200	15	10	30	550	0.1		6.5	5	0.6
WMZ11-05P152N550	1500	12	9	24	550	0.1		6.5	5	0.6
WMZ11-08P70RN420	70	64	50	127	420	1.4	120	8.5	7	0.6
WMZ11-08P121N420	120	49	40	97	420	1.4		8.5	7	0.6
WMZ11-08P151N420	150	43	35	86	420	1.4		8.5	7	0.6
WMZ11-08P501N550	500	24	19	48	550	1		8.5	7	0.6

Overcurrent and overload protection For telecom Exchange equipment

Part number	Resistance	Non-trip current		Ttrip current	Tripping time at max. current	Max. current	Max. operating voltage	Fail model	Dimension		
	R25 (Ω)	Int (mA)		@25℃	t(Sec)				(mm)		
	±25%	@25℃	@40℃	(S)	S	I _{max} (A)	V _{max} (V)		D _{max}	T _{max}	Φd
WMZ23-10RM130	10	130	100	260	<0.2	3	250	250V/10A	7.5	4	0.6
WMZ23-12RM130	12	130	100	260	<0.3	2	250	250V/10A	9	5	0.6
WMZ23-12RM090	12	90	80	160	<0.2	2	250	250V/10A	9	5	0.6
WMZ23-20RM100	20	100	80	200	<0.2	3	250	250V/10A	9	4	0.6
WMZ23-35RM090	35	90	75	180	<0.2	3	250	250V/5A	9	5	0.6
WMZ23-40RM080	40	80	70	160	<0.2	3	250	250V/5A	9	5	0.6
WMZ23-50RM070	50	70	60	150	<0.2	3	250	250V/5A	9	5	0.6
WMZ23-50RM075	50	75	60	150	<0.2	3	650	650V/10A	9.5	5	0.6
WMZ23-55RM070	55	70	60	150	<0.2	3	650	650V/10A	9.5	5	0.6
WMZ25-9ROM160	9	160	130	330	<0.8	3	250	250V/10A	10.2	4.5	0.6
WMZ25-25RM100	25	100	80	220	<0.2	3	250	250V/10A	6.6	4	0.6
WMZ25-25RM120	25	120	100	300	<0.4	3	250	250V/10A	8.2	4	0.6
WMZ26-10RM180SMD	10	180	140	36	<5.0	1	250	250V/10A	/	/	/
WMZ26-25RM130SMD	25	130	100	270	<0.3	3.0	250	250V/10A	/	/	/
WMZ26-50RM090SMD	50	90	70	190	<0.2	3	250	250V/10A	/	/	/
WMZ26-50RM100SMD	20	100	80	200	<0.2	3	250	250V/10A	/	/	/

Notes:

- 1.R₂₅ resistance tolerance can be selected upon customer's requirement.
- 2.Pin kinked form can be selected.
- 3.Packing can be made upon customer's requirement.