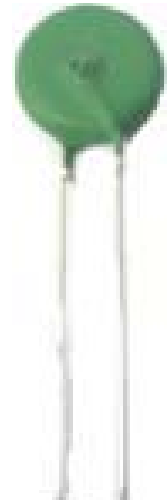


Characteristics

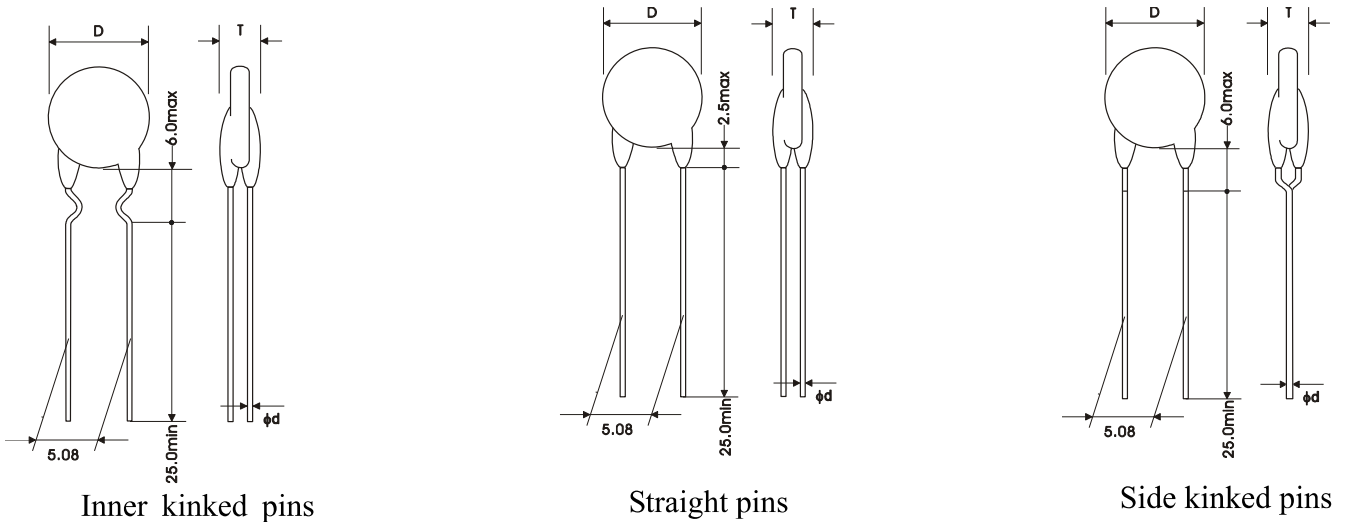
1. WMZ12X series PTC thermistor is pins resin coated parts.
2. Suitable to operate continuously in 15/140V_{AC} (high resistance state)
3. Has complete parts
4. Long stability.
5. Do not need to be reset after protection.
6. No contact point, no noise.

Application

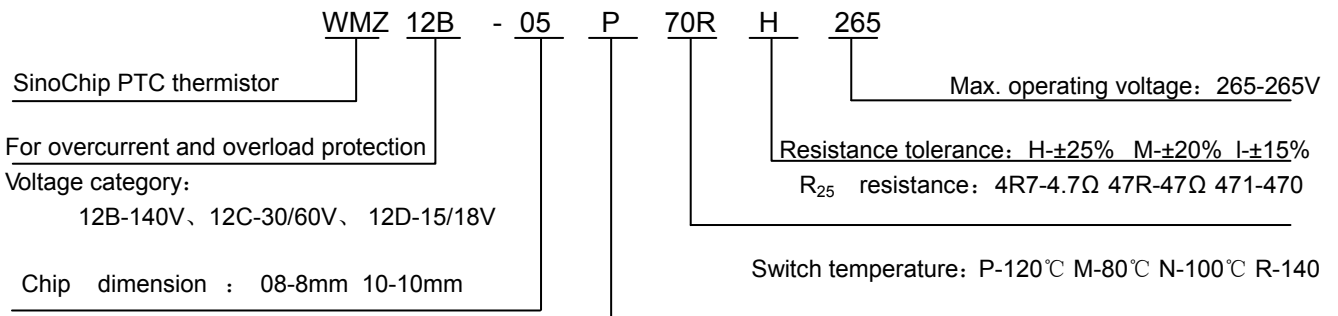
1. Battery charger
2. Transformer
3. Electronic circuit



Dimension (Unit: mm)



Part Number Explanation



Data Sheet

Part number	Resistance	Non-trip current		Ttrip current	Max. operating voltage	Max. current	Switch temperature	Dimension		
	R25 (Ω)	Int (mA)		@25℃	Vmax			(mm)		
	±25%	@25℃	@60℃	It (mA)	(V)	I _{max} (A)	Tc(℃)	Dmax	Tmax	Φd
15Vac										
WMZ12D-10R1R2H15	1.2	850	700	1550	15	4.3	140	11	4	0.6
WMZ12D-08R1R0H15	1	850	700	1500	15	3.0		9	4	0.6
WMZ12D-08R1R8H15	1.8	600	500	1100	15	3		9	4	0.6
WMZ12D-07R1R0H15	1	750	600	1350	15	2.5		8	4	0.6
WMZ12D-07R1R2H15	1.2	650	550	1200	15	2.5		8	4	0.6
WMZ12D-05R4R6H15	4.6	350	300	680	15	1		6.5	4	0.6
WMZ12D-03R13RH15	13	180	150	350	15	0.7		4.5	4	0.5
18Vac										
WMZ12D-10P1R2H18	1.2	700	600	1400	18	4.3	120	11	4	0.6
WMZ12D-08P1R018	1	650	550	1200	18	3		9	4	0.6
WMZ12D-08P1R8H18	1.8	550	450	1000	18	3		9	4	0.6
WMZ12D-05P4R6H18	4.6	300	250	580	18	1		6.5	4	0.6
WMZ12D-03P13RRH18	13	145	120	280	18	0.7		4.5	4	0.5
30Vac										
WMZ12C-10R1R8H30	1.8	650	550	1300	30	4.3	140	11	4	0.6
WMZ12C-08R1R8H30	1.8	600	500	1100	30	3		9	4	0.6
WMZ12C-12P1R2H30	1.2	750	600	1500	30	5.5	120	13.5	4	0.6
WMZ12C-12P1R8H30	1.8	500	430	1000	30	5.5		13.5	4	0.6
WMZ12C-10P2R7H30	2.7	380	320	700	30	4.3		11	4	0.6
WMZ12C-08P1R8H30	1.8	550	450	1000	30	3		9	4	0.6
WMZ12C-08P4R2H30	4.2	280	230	560	30	3		9	4	0.6
WMZ12C-05P10RH30	10	170	140	340	30	1		6.5	4	0.6
60Vac										
WMZ12C-16P2R3H60	2.3	550	450	1100	60	8	60	17.5	4	0.6
WMZ12C-12P3R7H60	3.7	380	320	750	60	5.5		13.5	4	0.6
WMZ12C-10P5R6H60	5.6	300	250	600	60	4.3		11	4	0.6
WMZ12C-08P9R4H60	9.4	180	150	360	60	3		9	4	0.6
WMZ12C-05P25RH60	25	100	85	200	60	1		6.5	4	0.6
WMZ12C-03P55RH60	55	60	50	120	60	0.7	4.5	4	0.6	
WMZ12C-08M4R7H60	4.7	180	120	360	60	3	80	9	4	0.6
140Vac										
WMZ12B-20P2R6H140	2.6	650	500	1300	140	4.3	120	22	5	0.6
WMZ12B-16P4R7H140	4.7	425	330	850	140	3.1		17.5	5	0.6
WMZ12B-16P5R6H140	5.6	400	310	800	140	3.1		17.5	5	0.6
WMZ12B-13P6R8H140	6.8	325	250	650	140	1.8		14	5	0.6
WMZ12B-12P5R6H140	5.6	325	250	650	140	1.8		13.5	5	0.6
WMZ12B-12P6R8H140	6.8	300	230	600	140	1.8		13.5	5	0.6
WMZ12B-10P10RH140	10	225	170	450	140	1.2		11	5	0.6

WMZ12B-10P6R8H140	6.8	275	200	550	140	1.2	140	11	5	0.6
WMZ12B-08P22RH140	22	135	110	270	140	0.8		9	5	0.6
WMZ12B-06P25RH140	25	125	90	250	140	0.5		7	5	0.6
WMZ12B-05P33RH140	33	90	70	175	140	0.3		6.5	5	0.6
WMZ12B-16R2R1H140	2.1	710	570	1420	140	3.1		17.5	5	0.6
WMZ12B-13R3R8H140	3.8	500	400	1000	140	1.8		14	5	0.6
WMZ12B-10R15RH140	15	210	170	420	140	1.2		11	5	0.6
WMZ12B-10R6R7H140	6.7	300	230	600	140	1.2		11	5	0.6
WMZ12B-10R10RH140	10	250	200	500	140	1.2		11	5	0.6
WMZ12B-08R12RH140	12	200	160	400	140	0.6		9	5	0.6

Notes:

- 1.R₂₅ resistance tolerance can be selected upon customer's requirement.
- 2.Pin kinked form can be selected.
- 3.Packing can be made upon customer's requirement.